



UNIT CODE	DESCRIPTION
TLK38-24V	Dual Set Point Temperature Controller

SPECIFICATIONS		
Input Power Required	Power Consumption	Control
24 VAC/VDC (50/60 Hz) *	3 VA	On/Off, PID and NEUTRAL ZONE

Power Supply: 24 VAC/VDC ± 10% F: 50/60 Hz

Power Consumption: 3 VA

Input(s): Programmable input for PTC KTY 81-121 (990 Ω at 25°C) or NTC 103AT-2 (10 kΩ at 25°C) Thermistors

Output(s): Two relay type

Case: Self-extinguishing plastic, UL 94 VO

Dimensions: 1/16th DIN, Front Panel 35x75 mm, depth 64 mm

Mounting: Flush in panel in 29x71 mm hole

Connections: 2.5 mm² screw terminal block

Degree of protection of from panel: IP 65, mounted on the panel with seal

Control: ON/OFF, PID and NEUTRAL ZONE

Measurement Range: According to probe used. Display Scale -99...999 max.

Display resolution: According to the probe used. 1/0. 1/5/0.5

Overall Accuracy: ± 0.5% fs

Sampling rate: 1 sample per second

Compliance: EEC directive EMC 89/336 (EN 50081-1, EN 50082-1), EEC directive LV 73/23 and 93/68 (EN 60730-1)

REPLACES TDH02-24

User Manual:
www.electracool.com/TLK38Manual.pdf

All specifications, data and drawings are subject to change without notice Rev: 5/10



TLK38 is a compact "single loop" digital microprocessor-based temperature controller with – programmable ON/OFF, PID single and double action and NEUTRAL ZONE control modes. Features Include AUTOTUNING, FAST double action & SELFTUNING PID and Fuzzy logic and Alarm Functions.

Selected to work with all of our 24 VDC Air Conditioners and assemblies it will accommodate up to a 8-amp load.

With two set points, TLK38 is programmable for both (cooling) and/OR reverse action (heating). Great for outdoor electronics enclosures that need both air conditioning and warming of the case in Winter.

Pricing:

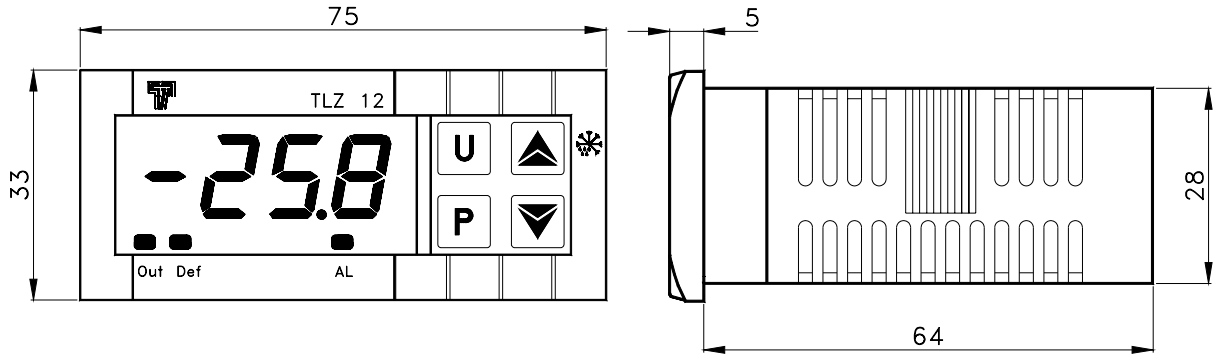
\$235.00 with NTC probe.

Operational temperature range of -50°C to +200°C

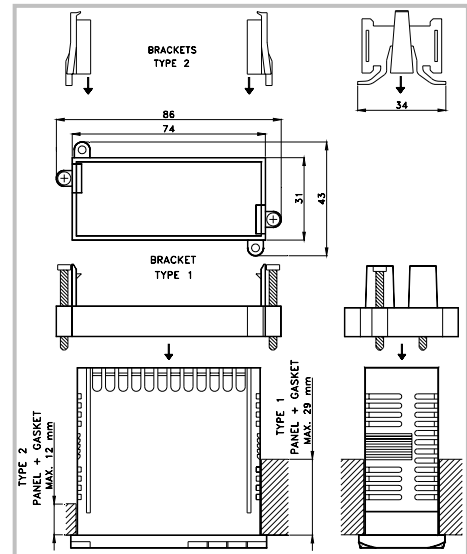
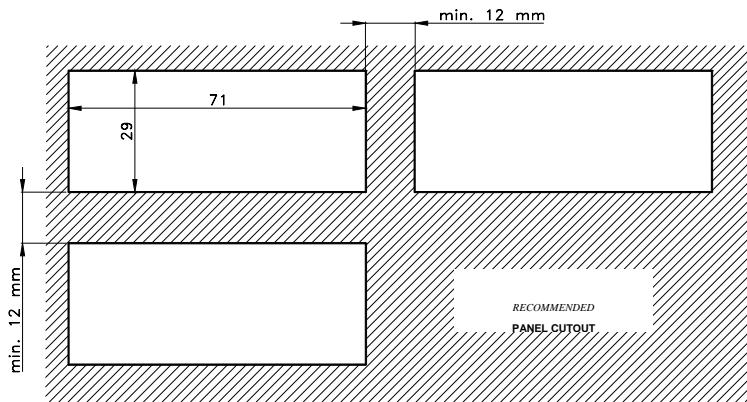
\$199.50 in quantities of 10

ELECTRACOOOL.COM

DIMENSIONS (mm)



Hole Cut-Out Pattern




*** 12 Volt version available**

TLK38-24 Pricing:
\$235.00 with NTC probe.
 Operational temperature range of -50°C to +200°C
\$199.50 in quantities of 10