

UNIT CODE	DESCRIPTION
TLZ10-12V (PN: TLZ10 FSAT)	Single Set Point Temperature Controller

SPECIFICATIONS		
Input Power Required	Power Consumption	Control
12 VAC/VDC (50/60 Hz) *	3 VA	On/Off

**Power Supply:** 12 VAC/VDC ± 10% F: 50/60 Hz

**Power Consumption:** 3 VA

**Input(s):** Programmable input for PTC KTY 81-121 (990 Ω at 25°C) or NTC 103AT-2 (10 kΩ at 25°C)

**Output(s):** One (1) 16 amp relay output

**Case:** Self-extinguishing plastic, UL 94 VO

**Dimensions:** 1/16<sup>th</sup> DIN, Front Panel 35x75 mm, depth 64 mm

**Mounting:** Flush in panel in 29x71 mm hole

**Connections:** 2.5 mm<sup>2</sup> screw terminal block

**Degree of protection of from panel:** IP 65, mounted on the panel with seal

**Control:** ON/OFF

**Measurement Range:** According to probe used. Display Scale -99....999 max.

**Display resolution:** According to the probe used. 1/0. 1/5/0.5

**Overall Accuracy:** ± 0.5% fs

**Sampling rate:** 1 sample per second

**Compliance:** EEC directive EMC 89/336 (EN 50081-1, EN 50082-1), EEC directive LV 73/23 and 93/68 (EN 60730-1)

**User Manual:**  
[www.electracool.com/TLZ10Manual.pdf](http://www.electracool.com/TLZ10Manual.pdf)

All specifications, data and drawings are subject to change without notice Rev: 5/11



TLZ10 is a compact, microprocessor driven temperature controller great for simple applications where maintaining a single temperature is desired. Selected to work with all of our 12 VDC cold plates and assemblies it will accommodate up to a 16-amp load. If you build a single module assembly (or multiple module 12V DC assembly), that you want to manually adjust temperature, this simple unit is a breeze hook up and program.

*Set it and forget it!*

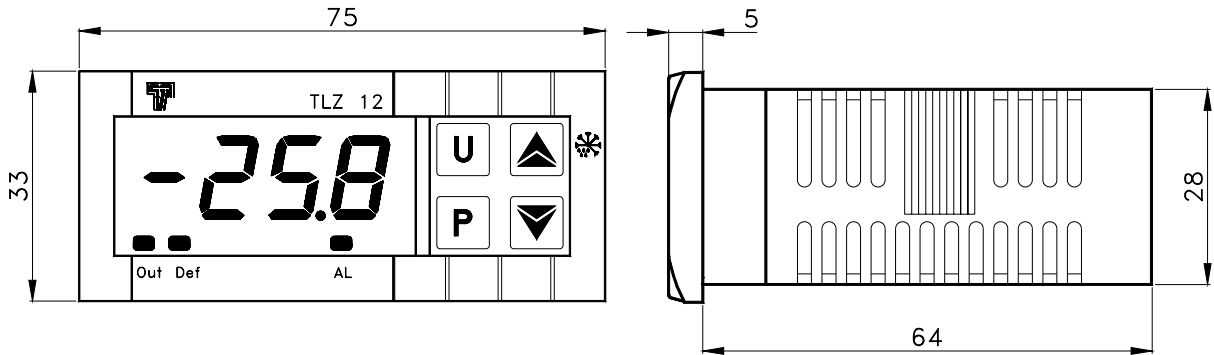
With only one set point, the unit is easily programmable for either direct action (cooling) OR reverse action (heating). Great for outdoor electronics enclosures that need either air conditioning OR warming of the case in Winter.

**REPLACES TDH01-12**

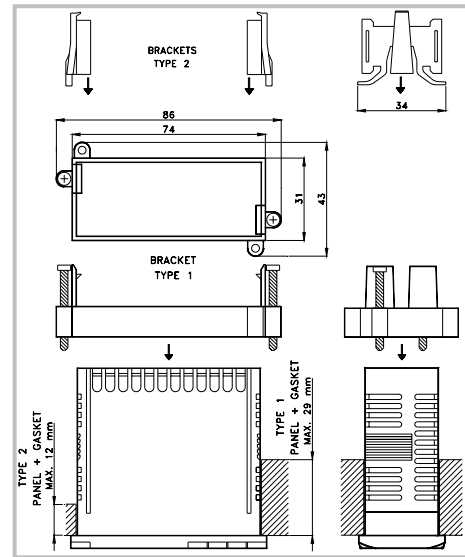
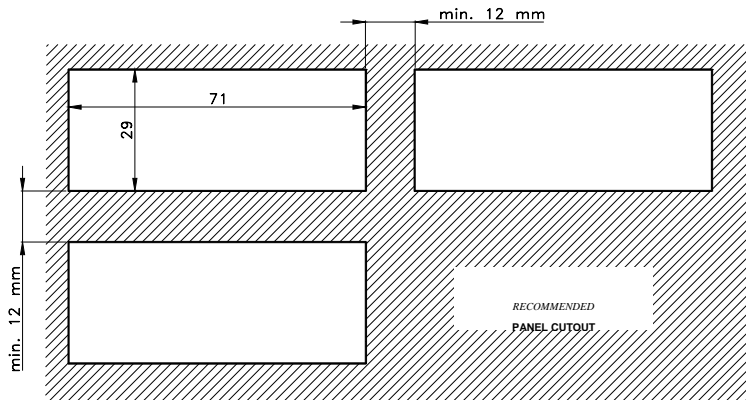
**Pricing:**

**\$199.00 with NTC probe.**  
 Operational temperature range of -50°C to +200°C  
**\$182.50 in quantities of 10+**

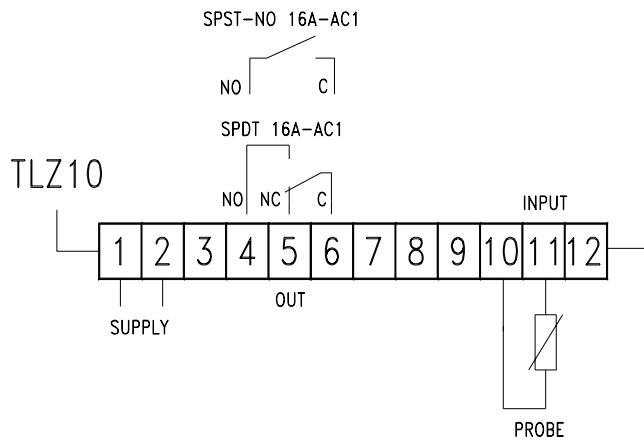
**DIMENSIONS (mm)**



**Recommended Cut-out Pattern**



**CONNECTIONS**



CE **CAUS**  
 PENDING

**\* 24 Volt version available**

**TLZ10-12 Pricing:**  
**\$199.00 with NTC probe.**  
 Operational temperature range of -50°C to +200°C  
**\$182.50 in quantities of 10+**